



WEATHERBOARD

— INSTALL GUIDE —



MOMENTUM
TEXTILES & WALLCOVERING

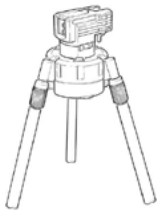
WEATHERBOARD MAKE SITE READY



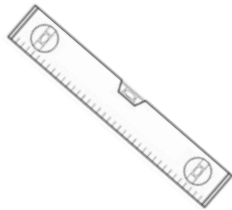
TIPS FOR INSTALLATION

1. Clean applicable walls free of dirt and dust to ensure a good bond.
2. Set out tiles as specified to be sure all pieces are included.
3. We would recommend a rendered printout of the layout to aid installation

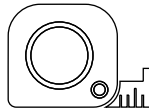
YOU WILL NEED:



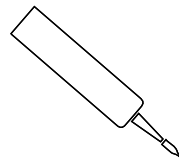
LASER LEVEL



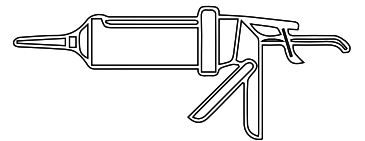
SPIRIT LEVEL



TAPE MEASURE



CONSTRUCTION ADHESIVE
WITH HIGH INITIAL TACK



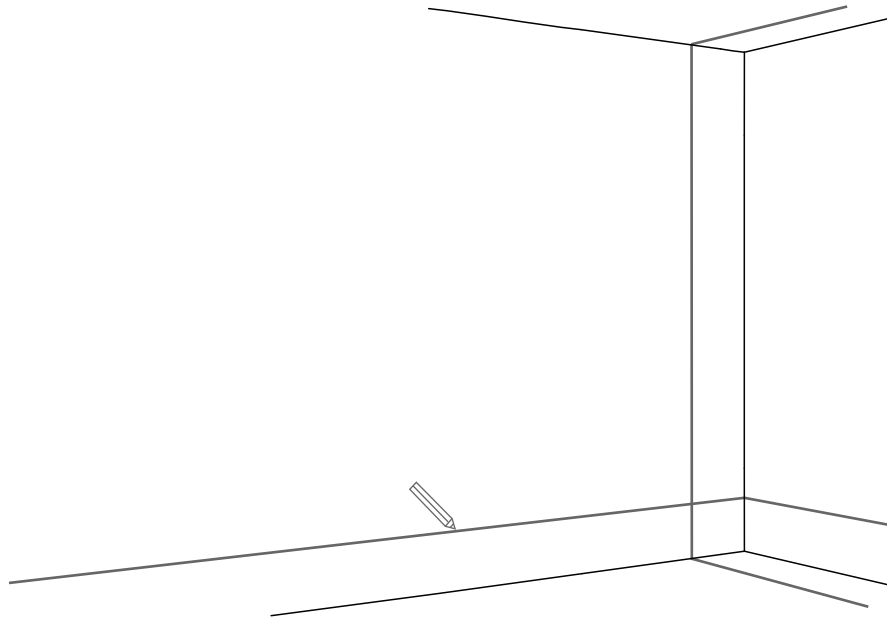
*Liquid Nails FUZE*IT MAX

WEATHERBOARD INSTALL METHOD



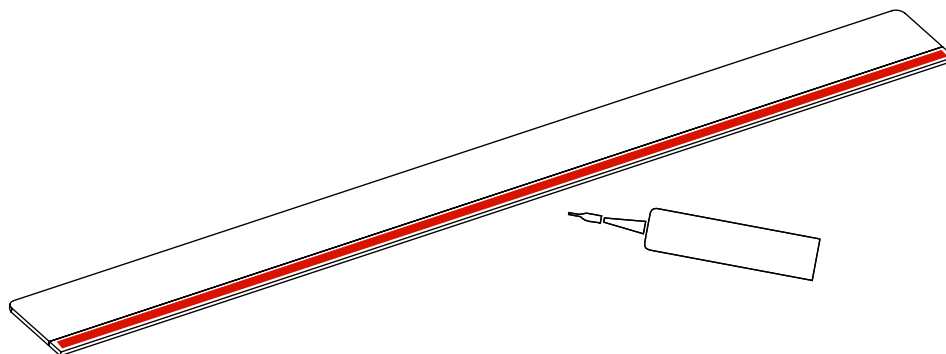
STEP 1

Use laser and mark the bottom edge of the first row of tiles and a centreline for tile assembly.



STEP 2

Apply construction adhesive to the back side of the tile shown in red.

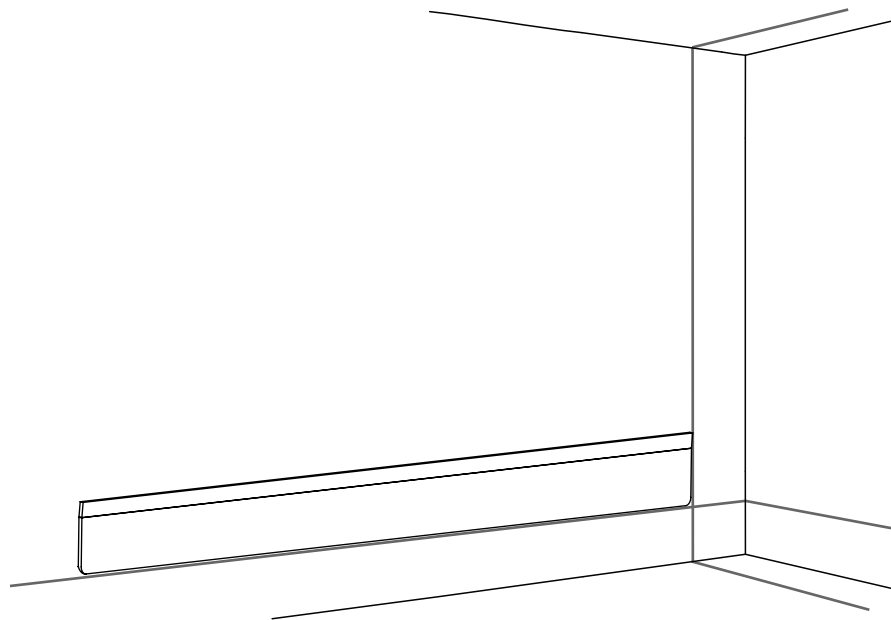


WEATHERBOARD INSTALL METHOD



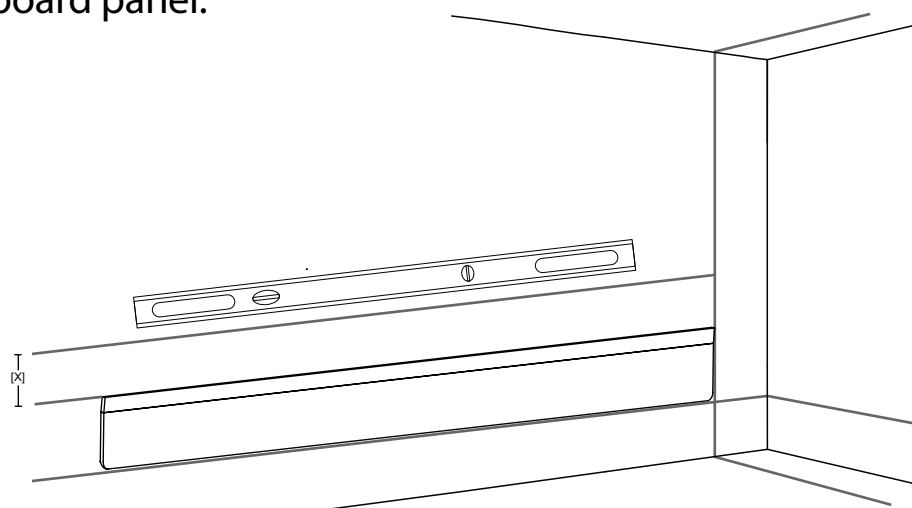
STEP 3

Fix first tile starting from the centreline and lower pencil marking.
Apply pressure over glue area to make sure a secure bond is achieved.



STEP 4

Measure the distance of 7.3in [185mm] from the top of the first weatherboard panel.



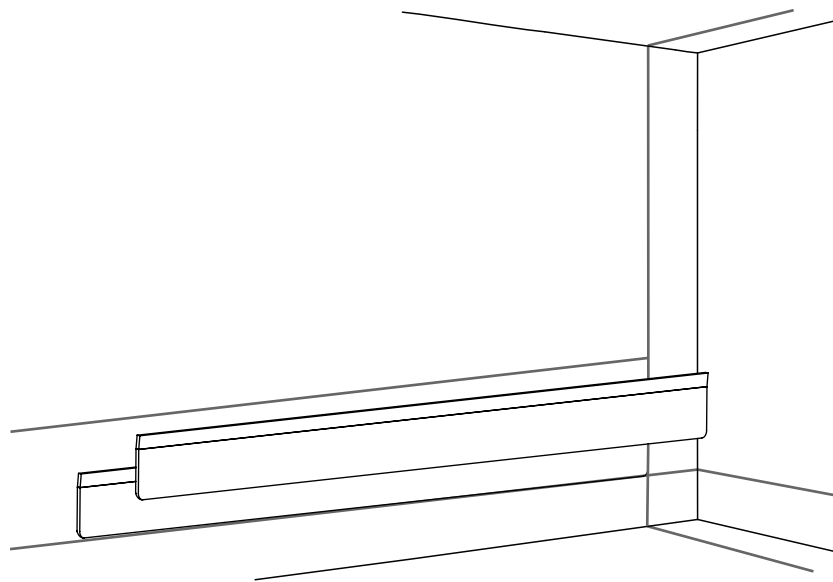
WEATHERBOARD INSTALL METHOD



STEP 5

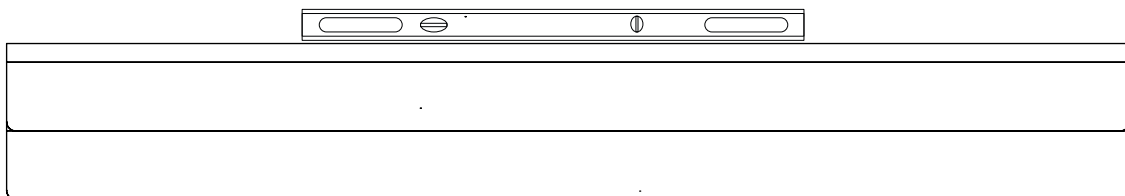
Fix second panel starting second marked line which is the top line of the weatherboard panel.

Apply pressure over glue area to make sure a secure bond is achieved.

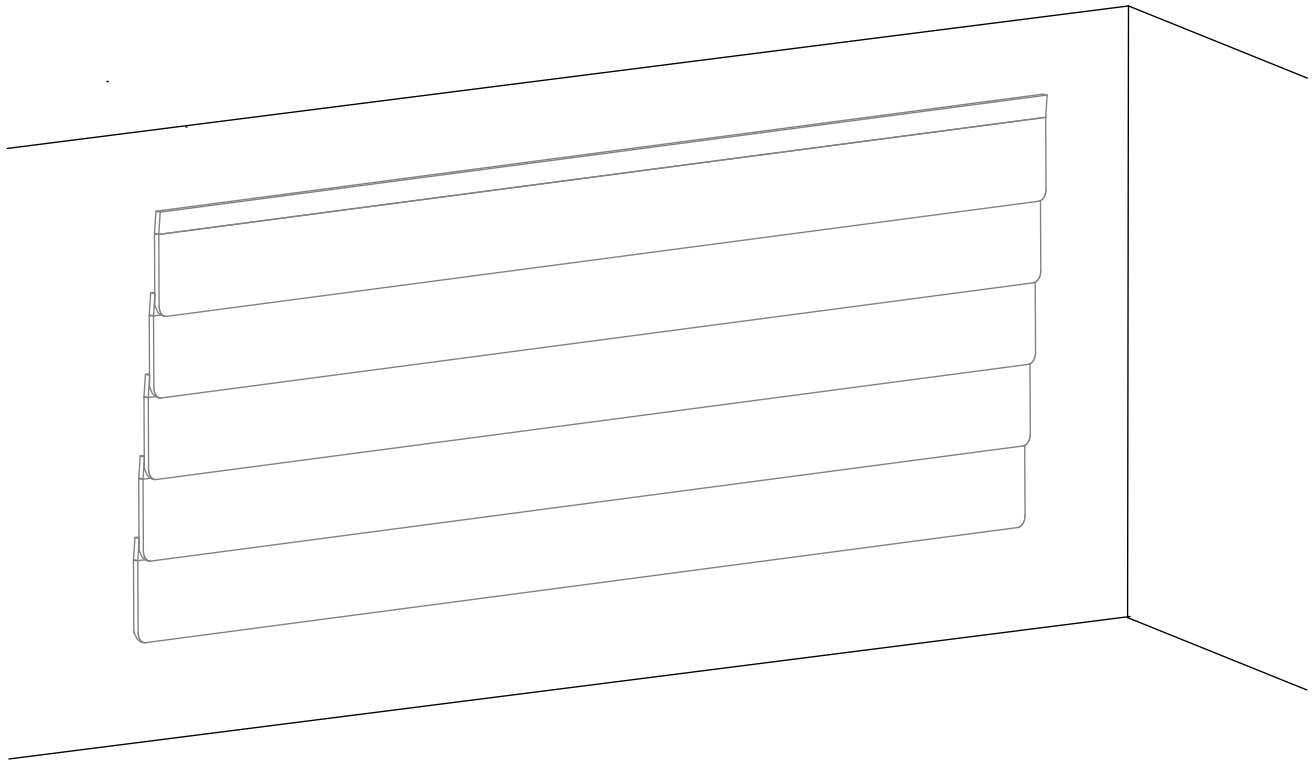


STEP 6

Continue step 4 & step 5 of installation by checking level using a level or laser as you apply panels to wall.



WEATHERBOARD INSTALL COMPLETE



Cleaning

- * PinDrop can be vacuumed using low suction and smooth attachment
- * Treat spills and stains as soon as possible
- * For soils and bulky build up gently scrape
- * For liquids, dab gently to remove from the surface, do not scrub
- * Avoid concentrated rubbing and use minimal pressure only
- * Do not use dishwashing or laundry detergents, only use polyester upholstery or carpet cleaner
- * A 1:10 ratio of household bleach to water can be used on tougher stains. After stain removal, dab with a clean water dampened cloth to remove bleach concentrate and allow to air dry
- * Always trial clean in a non-exposed area