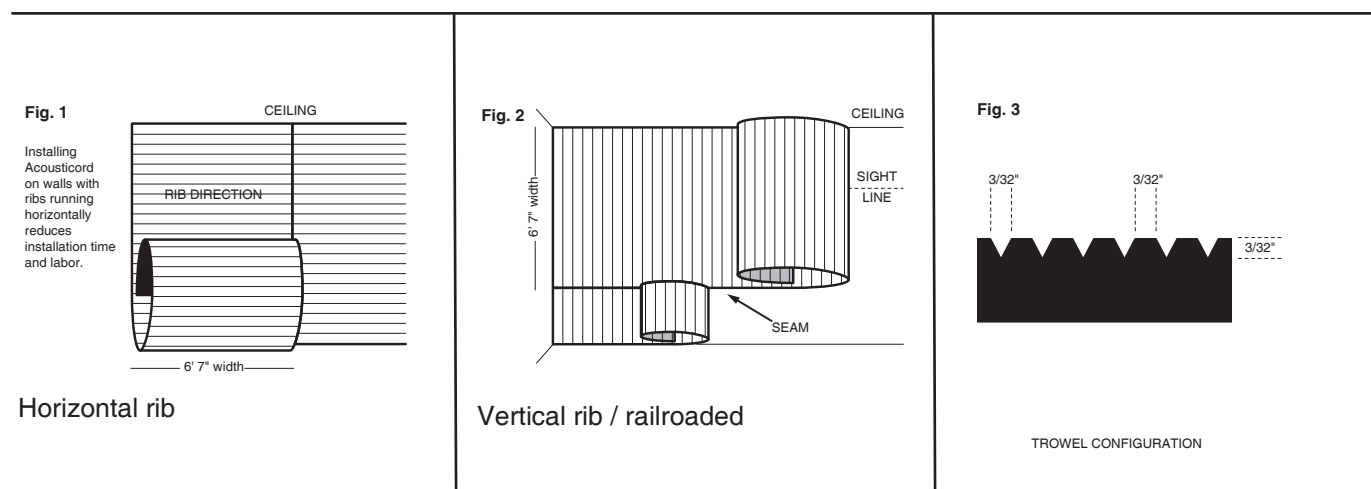


Installation Guide

HANGING INSTRUCTIONS FOR SOURCE ONE ACOUSTICORD WALLCOVERING

PLANNING INSTALLATION: Before starting, carefully study all aspects of the job. Pay particular attention to the following:

1. Type of surface and job conditions.
2. Note the ribs run across width of material. Width of Acousticord is 6'7".
3. Rib direction can be horizontal or vertical.
4. See figures 1 and 2 for recommended horizontal rib and vertical rib/railroad installation.
5. Number of mechanics needed to install would be determined by size and weight of individual sheets. Note: 60 square yards is equivalent to approximately 300 lbs per roll.
6. Caution: When installing to meet Class (A) ASTM E-84, substrate must be Type (X) gypsum or any Class (A) substrate such as homasote or metal.
7. Caution: When installing to concrete or cinder block, walls must be checked for moisture and hydrostatic pressure before proceeding with installation.



INSPECTION: All product should be opened when received and inspected for product number, color and dye lot acceptability. Slight variations in color may result from use of natural fibers and are not imperfections. 24 hours prior to installation, Acousticord should be unrolled in the area where it is to be installed. Room temperature should be maintained between 65° and 80°F. Occasionally, crush marks appear from shipping or storage. This is the nature of any pile type material. If crushing is objectionable, it can be relieved by steaming with a Jiffy #J-3-C Steamer or installation may be planned by cutting around crushed areas in the roll to achieve maximum use of goods.

ADHESIVE & TOOLS: ACS-4099 is sold separately and can be included with each order. Use at full strength, do not dilute. Follow instruction label on adhesive pail. The following are the necessary tools to install Acousticord: 3/32" x 3/32" V-notch trowel, metal loop pile cutter, row finder, car-pet knife, tuck knife, knee kicker.

SURFACE PREPARATION: Wall surfaces must be flat, dry, firm, clean and free of dust, dirt, wax, grease and other foreign material. Vinyl wallcovering, paint and old adhesive must be stripped from the bonding area prior to adhering wallcarpet. Plaster must be fully cured. Installation over cinder block requires a skim coat of adhesive using flat edge of trowel to fill grout lines. This requires 7-10% additional adhesive or skim coat the grout lines with Webcrete 98 Latex Fortified Portland Cement Patch. The installer can decide which method to use based on the depth of the grout line. It is imperative that the skim coat be allowed to completely dry before applying adhesive with an appropriately notched trowel. Note: In certain circumstances, if cinder blocks are not plumb, installation may result in the outline of the blocks telegraphing through to the face of the carpet. When installing on glossy or metal surfaces, walls should be sanded. Installers should conduct a pre-installation test on other unfamiliar substrates.

Installation Guide

CUTTING: First determine rib direction of installation. Acousticord can be installed with horizontal ribs or railroaded for vertical ribs. Refer to directional lines on the jute backing. Keep lines in uniform position to avoid shading. Measure the material and take a row finder across the full length of the rib. Then, adjust your loop pile cutter according to manufacturer's instructions and cut between the ribs. The next cut should start at the top of the roll on the same side. A few ribs of material will be thrown away in the process. Note: The edge of the material should not have a lip on it. If it does have a lip, then it is a poor cut that will not seam correctly. Note: Since Acousticord is fusion bonded, cuts may be made in any direction without raveling or fraying.

INSTALLATION - HORIZONTAL RIB: Acousticord can be installed on any clean, dry, smooth, surface such as concrete, dry wall, plaster, particle board, metal, plastic, laminate or plywood (minimum of ½" thickness). Note: See Surface Preparation. When installing ribs horizontally, walls should be plumbed and checked with a level. Fill pieces should be used for inside corners, butted edge to edge. If this is not possible, cut Acousticord 2" longer in length. Leave full at ceiling and floor. Observing open time for the adhesive is important. Tack up time will depend on atmosphere conditions. Adhesive should be allowed to become tacky and not dry out. Roll the carpet surface with an extendible roller end to end and side to side for complete adhesive transfer. Acousticord must be 100% adhered to the wall for dimensional stability. Re-rolling the material may be necessary within 3-6 hours. Note: Do not trim until adhesive has tacked or preferably trim the following day. Note: Acousticord installed with horizontal rib cannot turn outside 90° corners. The maximum radius that can be turned is a bullnose outside sheetrock corner. Another method to handle outside corners is to specify brushed aluminum 3/16 inch outside corner turn (ACS-10316OCT-9). Optional 3/16 inch J cap (ACS-10316J-9) may be used in certain applications.

INSTALLATION - VERTICAL RIB/RAILROADED: Acousticord can be installed on any clean, dry, smooth surface such as concrete, dry wall, plaster, particle board, metal, plastic, laminate or plywood (minimum of ½" thickness). Note: See Surface Preparation. When installing the ribs vertically (railroaded), you must determine placement of seam line, then make a chalk line the full width of wall. Then by using a level on the chalk line, determine bias in floor and ceiling. Start installation at leveled line. Trim excess material at floor and ceiling. Note: Seam will gap if procedure is not followed. You cannot adjust the bias at the seam. If you are not turning inside corners, cut Acousticord 2" longer. Trim corners following day. Observing open time for adhesive is important. Tack up time will depend on atmosphere conditions. Adhesive should be allowed to become tacky and not dry out. Roll the carpet surface with an extendible roller end to end and side to side for complete adhesive transfer. Acousticord must be 100% adhered to the wall for dimensional stability. Note: Do not trim until adhesive has tacked or preferably trim the following day. Note: When Acousticord is installed railroaded, the material can make 90° turns. Optional to specify brushed aluminum 3/16 inch J cap (ACS-10316J-9) for certain applications.

SEAMING: Acousticord is not preshrunk and requires seams to be overlapped and double cut after 24 hours. The purpose of waiting 24 hours to cut the seams is to allow for any potential shrinkage that might occur in the material. Acousticord seams should fit snugly together rib to rib if cut properly. Note: Using a loop pile cutter, trim one side with blade on left side of cutter and next side with right side of blade. Recommended seam seal is Bostik D815 (ACS-SEAM) because Acousticord is fusion bonded. Extreme care must be taken not to stretch it. Acousticord polyvinyl primary back has a memory. If the back is distorted, it will return to its original shape, causing seam to gap. It is imperative to use an extendible roller to ensure transfer of adhesive. Roll up and down and then roll toward seam. Note: Do not use the core Acousticord is shipped in to roll in. This method does not create enough pressure for complete adhesive transfer and does not work.

Installation videos, including troubleshooting, are available through your local Source One distributor.

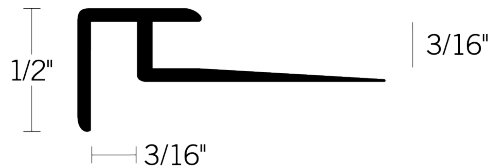
Installation Guide

METAL TRIM

Made to fit our line of Acousticord or Sosquil wallcoverings.

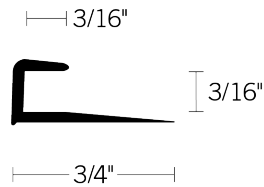
3/16" OUTSIDE CORNER TURN TRIM

Horizontal rib installations require bullnose outside sheetrock corners or specify Outside Corner Turn trim. Available in brushed aluminum in 9 ft length. Simply specify ACS-103160CT-9.



3/16" J CAP TRIM

It is optional on horizontal and vertical rib applications to specify J Cap trim. Available in brushed aluminum in 9 ft length. Simply specify ACS-10316J-9.



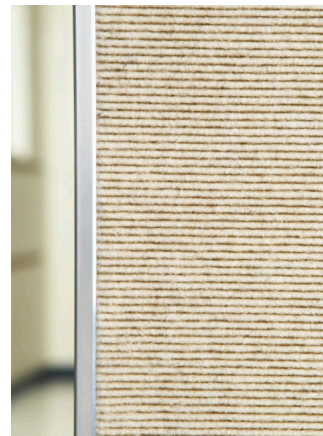
METAL TRIM SPECS

Metal: brushed aluminum

Length: 9 ft

Holes: predrilled and countersunk every 6 inches

Install: screws should sit flush with metal



ACOUSTICORD WITH METAL TRIM